

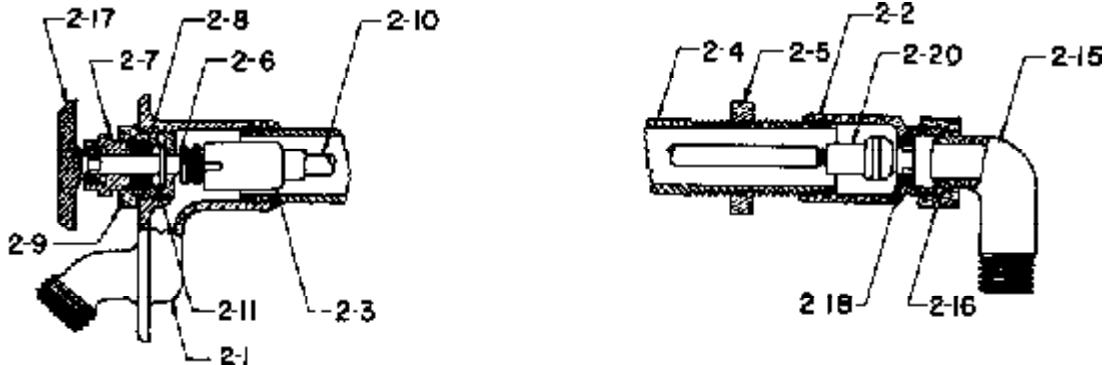


Click On The Blue Box Of The Part Number You Need

4515 E. 139th Street  
 Grandview, MO 64030  
 (800) 362-9055  
 Fax (800) 362-1463

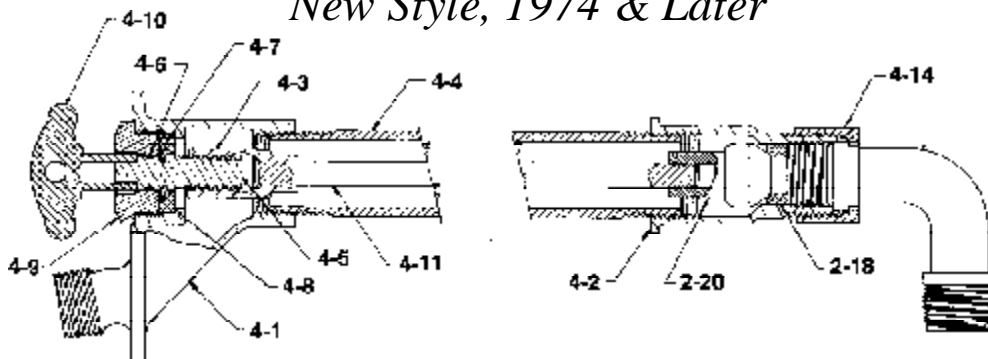
# Parts for C-132 & C-133 Commercial Hydrants

## Old Style, Prior to 1974



ID Number	Part Number	Description
2-3	310-2003	Worm Sleeve
2-6	310-2006	Worm Stem
2-7	310-2007	Packing Nut
2-8	394-2008	Packing
2-9	310-2009	Worm Assembly Nut
2-10	Consult Factory	Brass Stem
2-11	320-2011	Brass Packing Washer
2-17	C-235-007	Operating Key
2-18	391-2018	Nylon Seat
2-20	392-2020	Seat Washer Plunger

## New Style, 1974 & Later



ID Number	Part Number	Description
4-3	310-4003	Worm Sleeve
4-5	392-4005	Worm Stem Assembly, includes 4-6 & 4-7
4-8	391-4008	Retainer Seal
4-9	310-4009	Bushing Nut
4-10	C-235-007	Operating Key
4-11	Consult Factory	Brass Stem
2-18	391-2018	Nylon Seat
2-20	392-2020	Seat Washer Plunger