

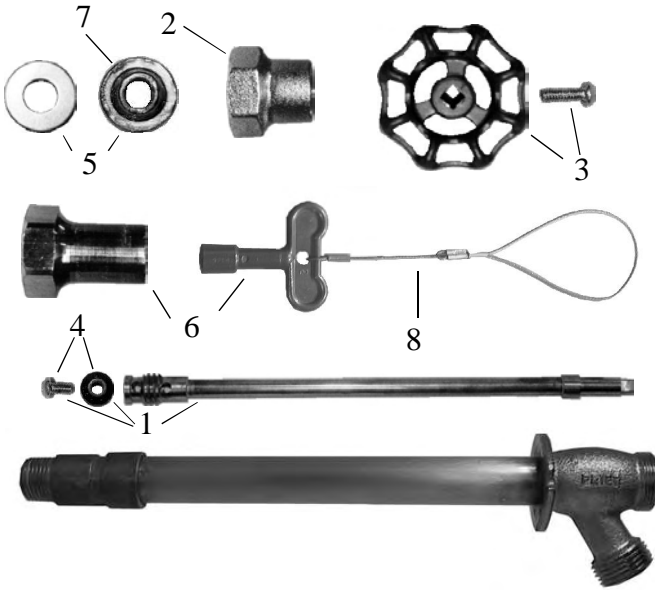
Click On The Blue Box Of The Part Number You Need



4515 East 139th Street
Grandview, MO 64030
800-362-9055
Fax 800-362-1463

C-134/234

Parts for C-134/234 Freezeless Wall Hydrants



ID	Part No.	Description
1,4	Stem Assembly	See Chart Below
2	300-1008	Valve Stem Cap
3	C-134KT-805	Oval Handle & Screw Kit
4	C-134KT-802	Seat Washer (OO Beveled) Replacement Kit
5	C-134KT-803	Stem Packing Replacement Kit
5,6	C-134KT-804	Loose Key Conversion Kit
7	390-1001	Stem Packing Only
8	C-108KT-808	Oval Style Key on Lanyard
3,4,5	C-134KT-807	C-134 Overhaul Kit

Replacement Stems for C-134/234 Hydrants

“A” Dimension “A” Dimension is: $\frac{9}{16}$ ” for B, C & D Styles
 $\frac{1}{2}$ ” for E Style



- A Style**-Obsolete, available from approximately 1945-1954
- B Style**-Available from approximately 1954-1961
- C Style**-Available from approximately 1961-1963
- D Style**-Available from approximately 1963-1972
- E Style**-Available from approximately 1972-Present

C-134 Nominal Stem Length

	CC	4"	6"	8"	10"	12"	14"
B	n/a	$8\frac{1}{16}$ "	$10\frac{1}{16}$ "	$12\frac{1}{16}$ "	$14\frac{1}{16}$ "	$16\frac{1}{16}$ "	$18\frac{1}{16}$ "
C	n/a	$7\frac{1}{16}$ "	$9\frac{1}{16}$ "	$11\frac{1}{16}$ "	$13\frac{1}{16}$ "	$15\frac{1}{16}$ "	$17\frac{1}{16}$ "
D	n/a	$7\frac{5}{8}$ "	$9\frac{5}{8}$ "	$11\frac{5}{8}$ "	$13\frac{5}{8}$ "	$15\frac{5}{8}$ "	$17\frac{5}{8}$ "
E	$5\frac{1}{16}$ "	$7\frac{9}{16}$ "	$9\frac{9}{16}$ "	$11\frac{9}{16}$ "	$13\frac{9}{16}$ "	$15\frac{9}{16}$ "	$17\frac{9}{16}$ "

Prier Universal Stems are replacement stems for any size from 4" to 14". They require cutting the rod to proper length and soldering the brass stem end to the rod as directed in instructions.

Part No.	Style	Description	Part No.	Style	Description
C-134BS04	B	4" B Style Stem for C-134 $8\frac{1}{16}$ " OAL	C-134DS06	D	6" D Style Stem for C-134 $9\frac{5}{8}$ " OAL
C-134BS06	B	6" B Style Stem for C-134 $10\frac{1}{16}$ " OAL	C-134DS08	D	8" D Style Stem for C-134 $11\frac{5}{8}$ " OAL
C-134BS08	B	8" B Style Stem for C-134 $12\frac{1}{16}$ " OAL	C-134DS10	D	10" D Style Stem for C-134 $13\frac{5}{8}$ " OAL
C-134BS10	B	10" B Style Stem for C-134 $14\frac{1}{16}$ " OAL	C-134DS12	D	12" D Style Stem for C-134 $15\frac{5}{8}$ " OAL
C-134BS12	B	12" B Style Stem for C-134 $16\frac{1}{16}$ " OAL	C-134DS14	D	14" D Style Stem for C-134 $17\frac{5}{8}$ " OAL
C-134BS14	B	14" B Style Stem for C-134 $18\frac{1}{16}$ " OAL	231-01CC	E	CC E Style Stem for C-134 $5\frac{1}{16}$ " OAL
C-134CS04	C	4" C Style Stem for C-134 $7\frac{1}{16}$ " OAL	231-0104	E	4" E Style Stem for C-134 $7\frac{9}{16}$ " OAL
C-134CS06	C	6" C Style Stem for C-134 $9\frac{1}{16}$ " OAL	231-0106	E	6" E Style Stem for C-134 $9\frac{9}{16}$ " OAL
C-134CS08	C	8" C Style Stem for C-134 $11\frac{1}{16}$ " OAL	231-0108	E	8" E Style Stem for C-134 $11\frac{9}{16}$ " OAL
C-134CS10	C	10" C Style Stem for C-134 $13\frac{1}{16}$ " OAL	231-0110	E	10" E Style Stem for C-134 $13\frac{9}{16}$ " OAL
C-134CS12	C	12" C Style Stem for C-134 $15\frac{1}{16}$ " OAL	231-0112	E	12" E Style Stem for C-134 $15\frac{9}{16}$ " OAL
C-134CS14	C	14" C Style Stem for C-134 $17\frac{1}{16}$ " OAL	231-0114	E	14" E Style Stem for C-134 $17\frac{9}{16}$ " OAL
C-134US	B,C,D	Universal Stem for B, C, D Styles	231-01US	E	Universal Stem for E Style
C-134DS04	D	4" D Style Stem for C-134 $7\frac{5}{8}$ " OAL			