

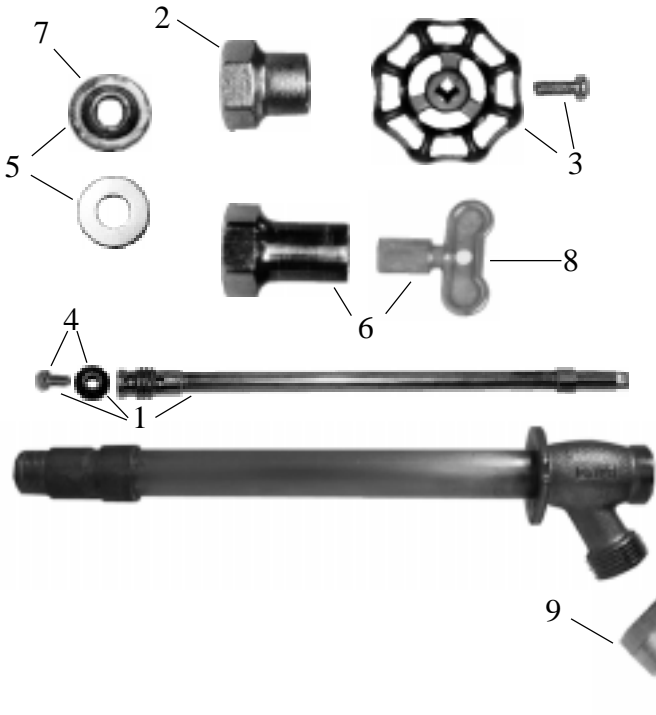
Click On The Blue Box Of The Part Number You Need



13907 Century Lane  
Grandview, MO 64030  
800-362-9055  
Fax 800-362-1463

**C-154/254**

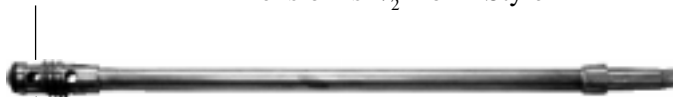
## Parts for C-154/254 Freezeless Wall Hydrants



ID	Part No.	Description
1,4	Stem Assembly	See Chart Below
2	300-1008	Valve Stem Cap
3	C-134KT-805	Oval Style Handle & Screw Kit
4	C-134KT-802	Seat Washer (OO Beveled) Replacement Kit
5	C-134KT-803	Stem Packing Replacement Kit
5,6	C-134KT-804	Loose Key Conversion Kit
7	390-1001	Packing Only
8	C-108KT-808	Oval Style Loose Key
9	P-003	Replacement Vacuum Breaker
3,4,5	C-134KT-807	Overhaul Kit

## Replacement Stems for C-154/254 Hydrants

“A” Dimension “A” Dimension is 1/2” for E Style



**E Style**-Available from approximately 1972-Present

### C-154/254 Nominal Stem Length

	CC	4"	6"	8"	10"	12"	14"
<b>E</b>	5 1/16"	7 9/16"	9 9/16"	11 9/16"	13 9/16"	15 9/16"	17 9/16"

Prier Universal Stems are replacement stems for any size from Close Coupled to 14". They require cutting the rod to proper length and soldering the brass stem end to the rod as directed in instructions.

Part No.	Style	Description
231-01CC	E	Close Coupled E Style Stem for C-134/154 5 1/16" OAL
231-0104	E	4" E Style Stem for C-134/154 7 9/16" OAL
231-0106	E	6" E Style Stem for C-134/154 9 9/16" OAL
231-0108	E	8" E Style Stem for C-134/154 11 9/16" OAL
231-0110	E	10" E Style Stem for C-134/154 13 9/16" OAL
231-0112	E	12" E Style Stem for C-134/154 15 9/16" OAL
231-0114	E	14" E Style Stem for C-134/154 17 9/16" OAL
231-0118	E	18" E Style Stem for C-134/154 21 9/16" OAL
231-0124	E	24" E Style Stem for C-134/154 27 9/16" OAL
231-01US	E	Universal Style Replacement Stem for sizes 4-14"