

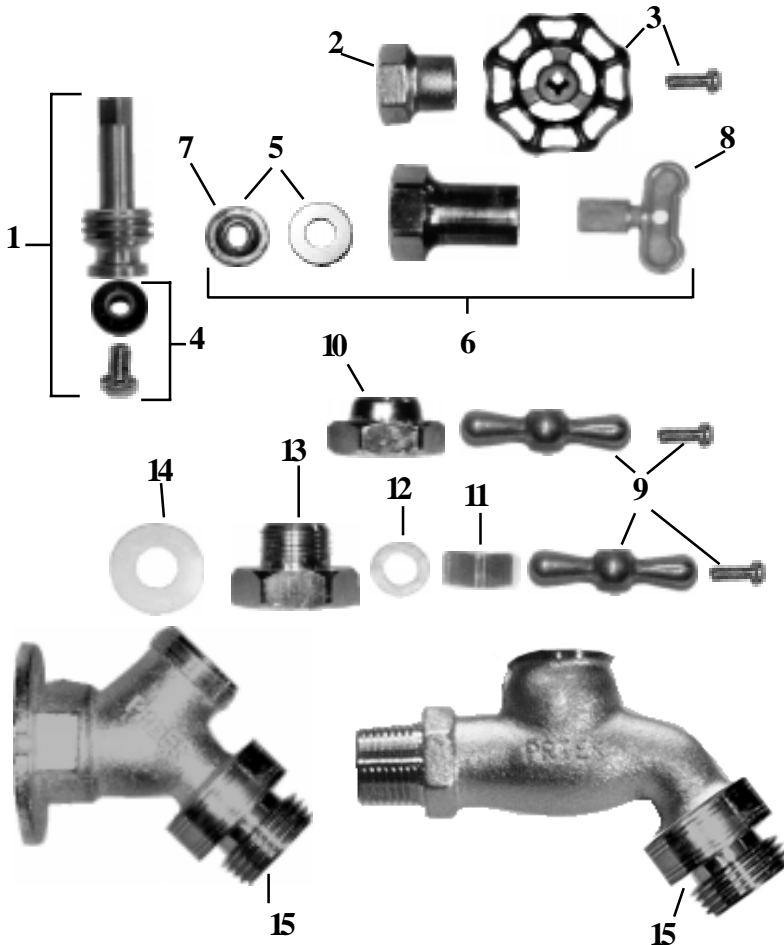
Click On The Blue Box Of The Part Number You Need



13907 Century Lane  
Grandview, MO 64030  
800-362-9055  
Fax 800-362-1463

**C-155/158/255/258**

## Parts for Anti-Siphon Angle Sill Faucets & Hose Bibbs



ID	Part No.	Description
1,4	231-0001	Stem Assy-C-155/255/158/258 2 1/8" OAL
1,4	231-0002	Stem Assy for C-158ST 2 1/2" OAL
2	300-1008	Valve Stem Cap for C-155/157
3	C-134KT-805	Handle Kit for C-155/157
4	C-135KT-802	Seat Washer Kit 1/4" L Beveled
5	C-134KT-803	Stem Packing Kit for C-155/255/158/258
6	C-134KT-804	Loose Key Conversion Kit for C-155/158
7	390-1001	Packing Only-C-155/255/158/258
8	C-108KT-808	Loose Key Only for C-255/258
9	C-138KT-801	T Handle & Screw Kit for C-158/158ST
10	310-1012	Valve Stem Cap for C-158
11	310-0006	Stuffing Box for C-158ST
12	393-0001	Stuffing Box Packing for C-158ST
13	310-0005	Valve Stem Cap for C-158ST
14	390-0001	Packing for C-158ST
15 <sub>a</sub>	320-0003	Brass Vacuum Breaker Washer
15 <sub>b</sub>	300-0026	Hose Piece for Vacuum Breaker
15 <sub>c</sub>	324-0001	Spring for Vacuum Breaker
15 <sub>d</sub>	337-0001	Stop/Release Pin for Vacuum Breaker
15 <sub>e</sub>	346-0002	Rubber Washer for Vacuum Breaker
15	C-434KT-806	Complete Vacuum Breaker Replacement