

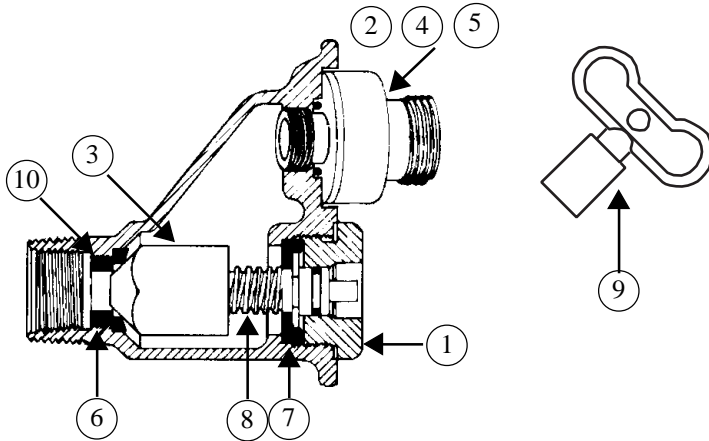
Click On The Blue Box Of The Part Number You Need



13907 Century Lane  
Grandview, MO 64030  
800-362-9055  
Fax 800-362-1463

**C-635**

Parts



ID	Part No.	Description
1	310-4009	Face Nut-Brass
2	310-6008	Hose Piece-Brass
3	310-6012	Drive Sleeve-Brass
4	340-6006	Diverter Diaphragm-Silicon
5	340-6007	Diverter Check Spider-Acetal
6	391-2018	Nylon Seat
7	391-4008	Retainer Seal-Nylon
8	392-4005	Drive Screw Assy-Brass
9	C-235-007	Operating Key-Aluminum
10	C-635KT-802	Seat Washer Replacement Kit
11	310-6002	Hose Piece Adapter-Brass
12	340-6010	O-Ring
2,4,5,- 11,12	231-6001	Vacuum Breaker Assembly