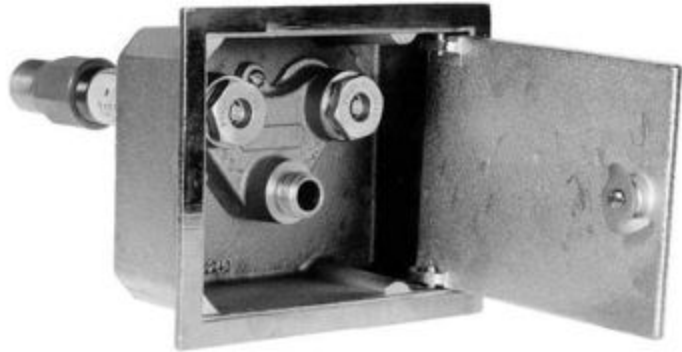




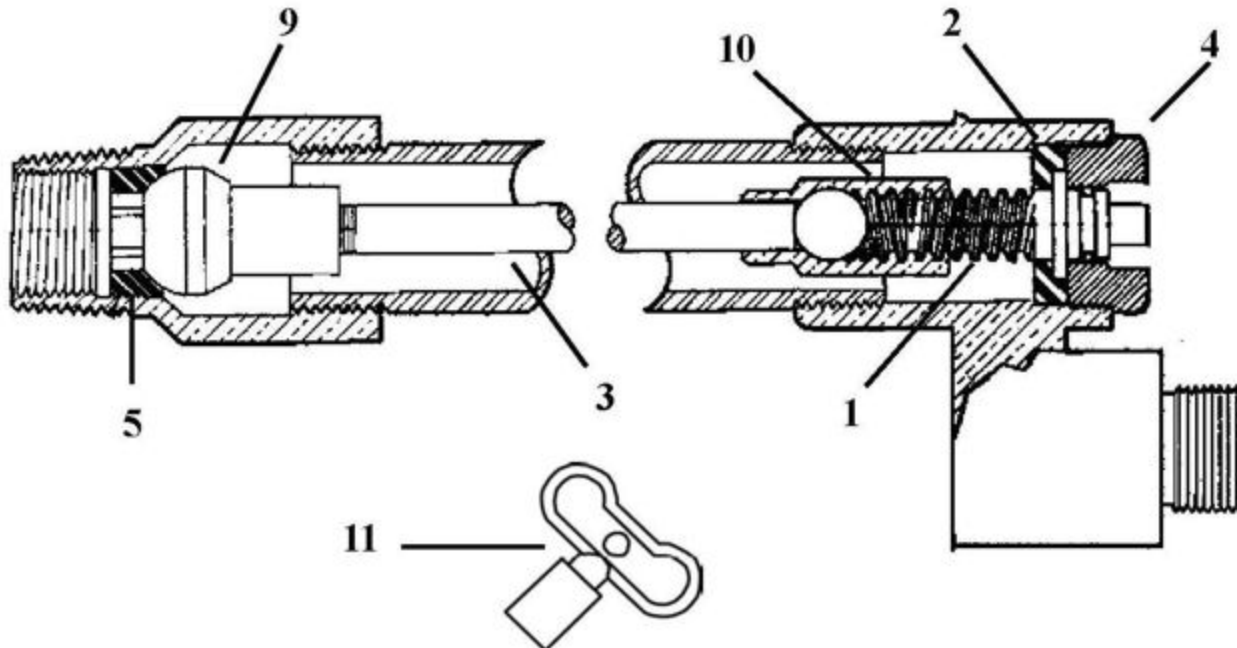
4515 East 139th Street
Grandview, MO 64030
800-362-9055
Fax 800-362-1463
www.PRIER.com

C-734/754 Heavy Commercial Mixing Hydrant



- Commercial
- Industrial
- Freezeless
- ASSE / IAPMO Listed

Click On The Blue Box Of The Part Number You Need



ID	Part No.	Description-Materials
1	392-4005	Drive Screw Assembly-Brass
2	391-4008	Retainer Seal-Nylon
3	Call Prier	Operating Rod-Brass
4	310-4009	Face Nut-Brass
5	391-2018	Seat-Nylon
9	392-2020	Plunger-Butyl with Brass Insert
10	310-4003	Worm Sleeve-Brass
11	325-0001	Loose Key-Die Cast Aluminum